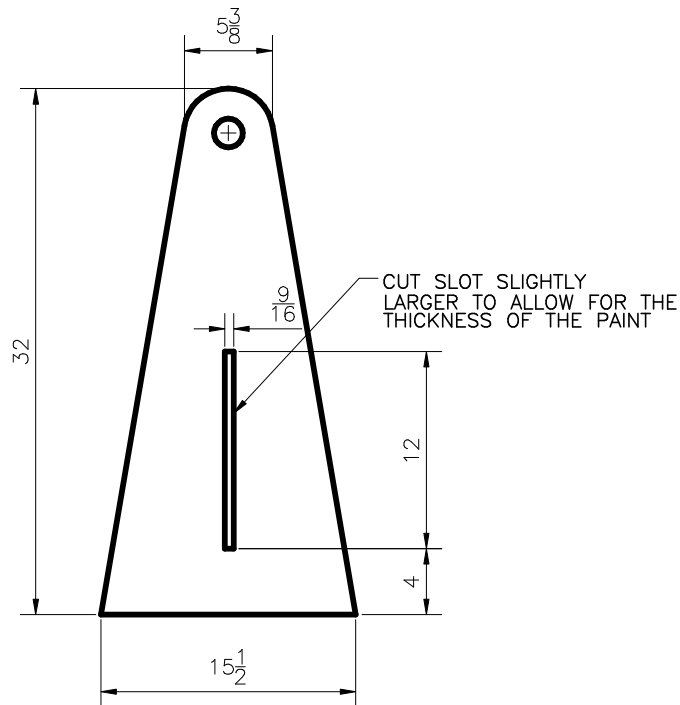
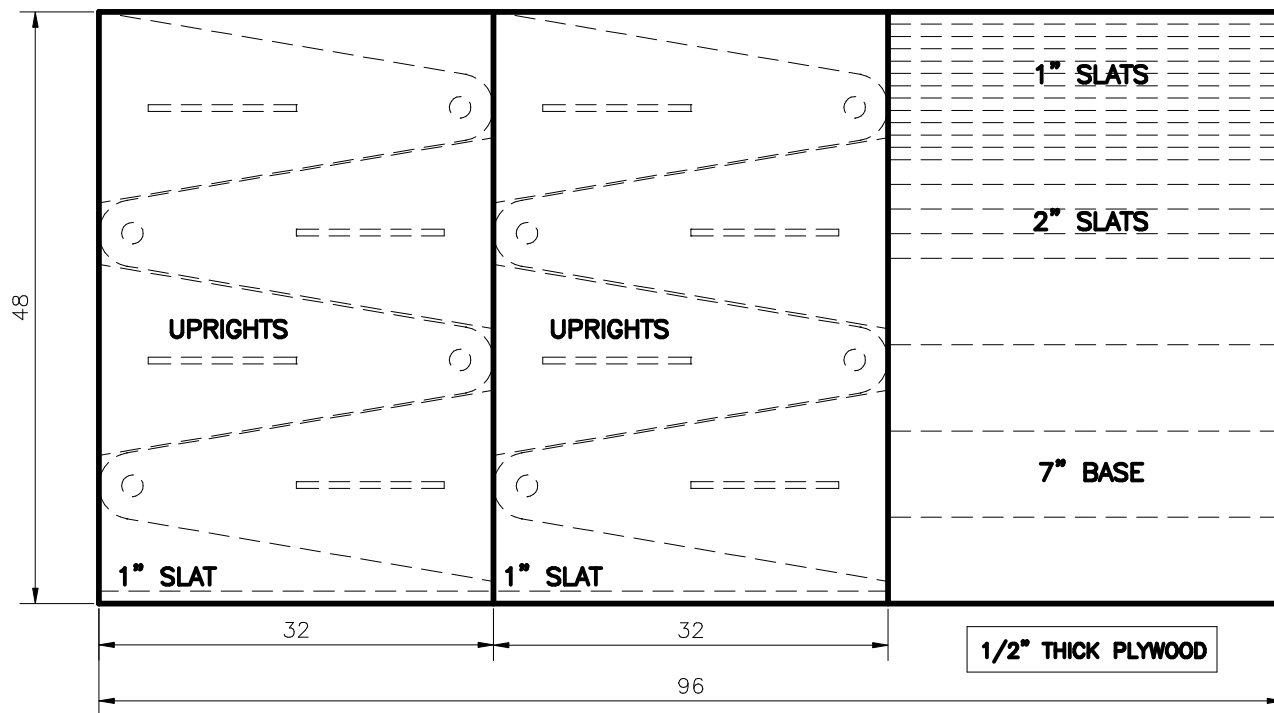


1/2" THICK PLYWOOD

BASE BOARD
NOT TO SCALE



UPRIGHT
NOT TO SCALE



PLYWOOD CUT PATTERN
NOT TO SCALE

Willoughby Workshop - www.flyballequip.com
 These plans are to guide a D.I.Y. person to construct a set of standard flyball jumps.
 These plans are intended for personal use only.
 For more plans on flyball equipment please visit:
www.flyballequip.com/plans

SHOWN IN INCHES